

# Lever House Primary School



Electricity

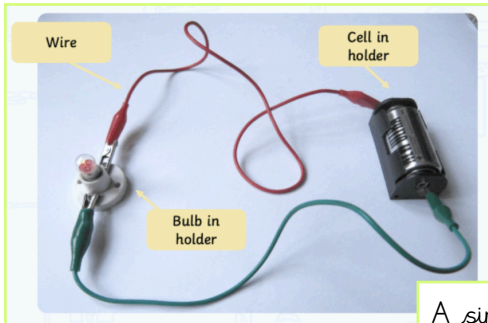
Main Subject: Science

Strand: Physics

Classes: Maple, Oak & Pine

## What I should already know:

Electricity can be dangerous and we must use it safely.



A simple circuit.

## What I will be able to answer (Learning Questions)

Which appliances need electricity to work?

How can I make a simple circuit and how does it work?

Will the bulb light?

How do switches affect a circuit?

Which materials conduct electricity and which materials insulate it?

## Useful links:

<https://www.bbc.co.uk/bitesize/topics/zj44jxcs>

<https://www.theschoolrun.com/what-is-electricity>

<http://www.primaryhomeworkhelp.co.uk/revision/Science/electricity.htm>

## Sticky Knowledge

Appliances such as washing machines and mobile phones need electricity to work.

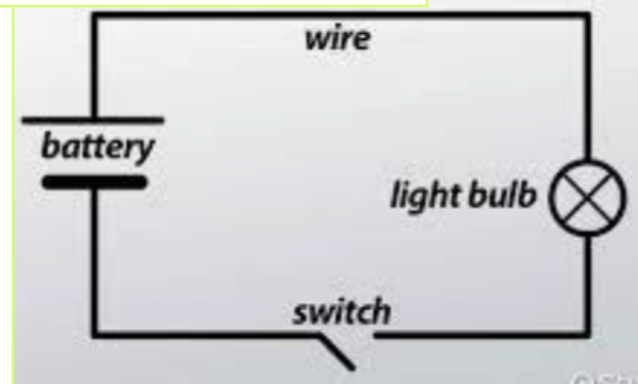
A simple circuit has a cell, wires, bulbs, switches and buzzers.

To light a lamp, the circuit needs to be part of a complete loop with a battery.

Switches open and close circuits. This can complete or incomplete a circuit.

Metals such as copper and steel are good conductors. Wood, plastic, glass, fabric rubber and paper are insulators.

A drawing of a simple circuit.



## Key Vocabulary:

**Appliance:** a piece of equipment or a device designed to perform a particular job, such as a washing machine or mobile phone.

**Battery:** a device that stores electrical energy until it is needed.

**Cell:** a battery.

**Circuit:** a pathway that electricity can flow around.

**Conductor:** a material which allows heat or electricity to flow through it.

**Electricity:** a form of energy from a power source that creates a flow of electric current through a material.

**Insulator:** a material that does not easily allow electricity to pass through it.

## Insulators



rubber

wood

fabric

air

glass

plastic